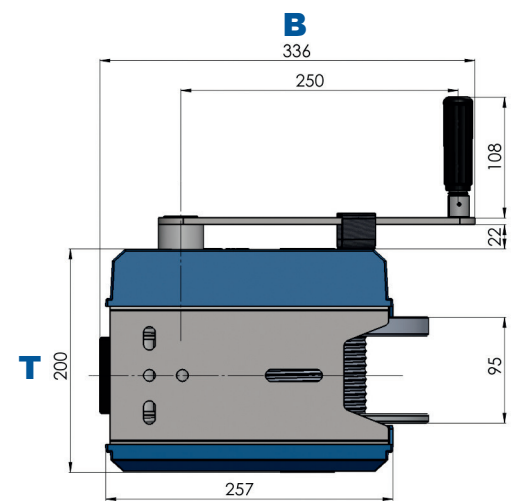
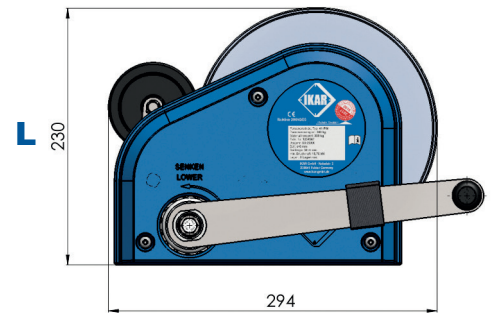


Personnel and load winch

acc. to RL 2006/42/EG and certified acc. to EN 1808/2015



Product information:

Art.-No.:	Rope length	Weight	Dimensions (LxWxH)
41-PLW	max. 30m	18.5kg	230 x 336 x 200 mm

Features:

IKAR personnel and load winch

- hand handle load winch for an easy and jolt-free lifting and lowering of persons and loads
- maximum load 300kg
- stainless steel rope with Ø 6mm
- rope length max. 30m
- length handle: 250mm
- weight load winch approx. 18.5kg
- compatible with all IKAR tripods and davit arms